

Two-Note Door Chime

MODEL: LB-18, LB-76 SERIES

- Designed for two-door operation.
- Model LB-76 is designed to be used with a NuTone Radio-Intercom system.

WIRING CAUTIONS: Before installing the transformer and chime, turn off the house power and leave it off until installation is complete.

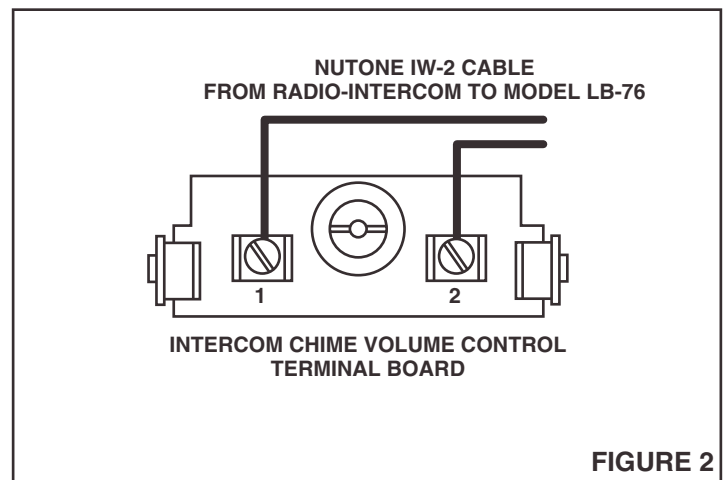
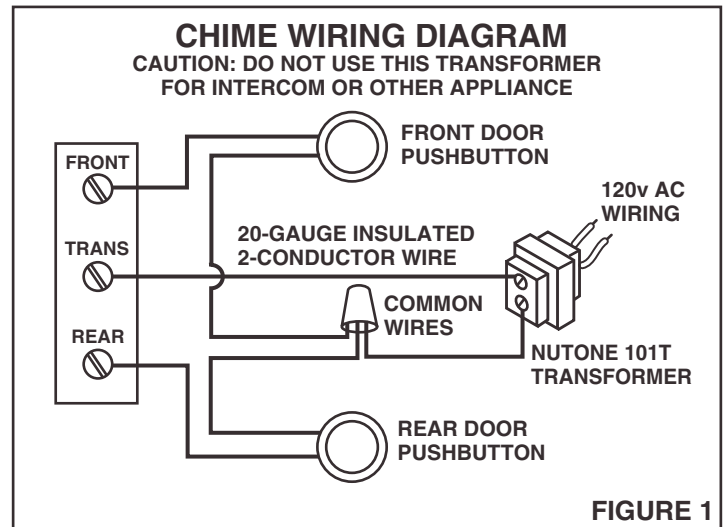
Carefully fasten wiring to wall studs and ceiling joists – avoid short circuits caused by staples or clips cutting through the wiring's insulation. When drilling into walls, be careful not to damage existing electrical cables.

All wiring must comply with local codes or the National Electrical Code. If you are unfamiliar with electrical wiring installation methods, secure the services of a qualified electrician.

NOTE: NuTone Model 101T (16V - 15VA) transformer is included with Model LB-76 Door Chime.

INSTALLATION

1. NuTone chimes are designed to be seen as well as heard. Locate the chime on a wall at eye level.
 2. Mount the transformer to a convenient junction box or panel box. Connect the 120v AC house power leads to the transformer wires as follows: black to black; black to white.
- NOTE: Label all wires as they are run.**
3. Run 20-gauge, 2-conductor wire from the transformer terminals to the chime site.
 4. Wire and mount the pushbuttons. Run 20-gauge, 2-conductor wire from the pushbutton to the chime site.
 5. If connecting Model LB-76 chime to a NuTone Radio-Intercom, run NuTone IW-2 cable (22-gauge, 2-conductor) from the Radio-Intercom to the chime site. For connections to the Radio-Intercom, see instructions packaged with the Radio-Intercom Master Unit.
 6. Pull all of the wires which have been run to the chime site through chime baseplate. Mount baseplate with supplied screws.
 7. Connect wires as shown in Figure 1. Where applicable, make connections to Radio-Intercom as shown in Figure 2.
 8. Be certain the wires are not touching the chime tone bars or the power unit.
 9. Restore the house power to transformer and test chime. If chime does not respond to pushbutton, check wire connection.
 10. Install the chime over the baseplate.



HOMEOWNER'S INFORMATION

“Sluggish” chime plungers

If chime plungers should ever get “sluggish” in their movement, clean the plungers with a non-flammable cleaning fluid and wipe dry.

CAUTION: Never oil chime plungers.

NuTone®

One Year Limited Warranty

WARRANTY OWNER: NuTone warrants to the original consumer purchaser of its products that such products will be free from defects in materials or workmanship for a period of one (1) year from the date of original purchase. **THERE ARE NO OTHER WARRANTIES, EXPRESS OR IMPLIED, INCLUDING, BUT NOT LIMITED TO, IMPLIED WARRANTIES OF MERCHANTABILITY OR FITNESS FOR A PARTICULAR PURPOSE.**

During this one year period, NuTone will, at its option, repair or replace, without charge, any product or part which is found to be defective under normal use and service. **THIS WARRANTY DOES NOT EXTEND TO FLUORESCENT LAMP STARTERS OR TUBES, FILTERS, DUCT, ROOF CAPS, WALL CAPS AND OTHER ACCESSORIES FOR DUCTING.** This warranty does not cover (a) normal maintenance and service or (b) any products or parts which have been subject to misuse, negligence, accident, improper maintenance or repair (other than by NuTone), faulty installation or installation contrary to recommended installation instructions.

The duration of any implied warranty is limited to the one year period as specified for the express warranty. Some states do not allow limitation on how long an implied warranty lasts, so the above limitation may not apply to you.

NUTONE'S OBLIGATION TO REPAIR OR REPLACE, AT NUTONE'S OPTION, SHALL BE THE PURCHASER'S SOLE AND EXCLUSIVE REMEDY UNDER THIS WARRANTY. NUTONE SHALL NOT BE LIABLE FOR INCIDENTAL, CONSEQUENTIAL OR SPECIAL DAMAGES ARISING OUT OF OR IN CONNECTION WITH PRODUCT USE OR PERFORMANCE. Some states do not allow the exclusion or limitation of incidental or consequential damages, so the above limitation or exclusion may not apply to you. This warranty gives you specific legal rights, and you may also have other rights, which vary from state to state. This warranty supersedes all prior warranties.

WARRANTY SERVICE: To qualify for warranty service, you must (a) notify NuTone at the address stated below or telephone 1/800-543-8687, (b) give the model number and part identification and (c) describe the nature of any defect in the product or part. At the time of requesting warranty service, you must present evidence of the original purchase date.

Date of Installation

Builder or Installer

Model No. and Product Description

IF YOU NEED ASSISTANCE OR SERVICE:

For the location of your nearest NuTone Independent Authorized Service Center:

Residents of the contiguous United States Dial Free 1-800-543-8687

Please be prepared to provide:

Product model number • Date and Proof of purchase • The nature of the difficulty

Residents of Alaska or Hawaii should write to: NuTone Inc. Attn: Department of National Field Service, 4820 Red Bank Road, Cincinnati Ohio 45227-1599.

Residents of Canada should write to: Broan-NuTone Canada, 1140 Tristar Drive, Mississauga, Ontario, Canada L5T 1H9.

Rev. 03/2001

Product specifications subject to change without notice.

NuTone®

4820 Red Bank Road, Cincinnati, Ohio 45227
Printed in U.S.A., Rev. 04/01, Part No. 53192